



# Countertop Refrigerated Showcases

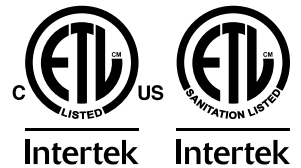
Models RS-CN-0140-D, 0190-D, 0240-D

Items 44639, 44640, 46806

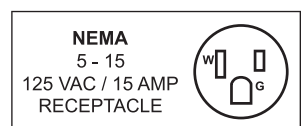
## Instruction Manual



Revised - 01/08/2021



Toll Free: 1-800-465-0234  
Fax: 905-607-0234  
Email: [service@omcan.com](mailto:service@omcan.com)  
[www.omcan.com](http://www.omcan.com)



# ***Table of Contents***

Model RS-CN-0140-D / Model RS-CN-0190-D / Model RS-CN-0240-D

---

<b>Section</b>	<b>Page</b>
Disclaimer -----	3
General Information -----	4 - 5
Safety and Warranty -----	5 - 6
Technical Specifications -----	6
Installation -----	7
Operation -----	7 - 11
Maintenance -----	11 - 12
Troubleshooting -----	12 - 13
Parts Breakdown -----	14 - 15
Electrical Schematics -----	16
Notes -----	17 - 18
Warranty Registration -----	19

## *Disclaimer*

---

***OMCAN IS NOT RESPONSIBLE FOR ANY DAMAGES DUE TO WATER LEAKS. WARRANTY FOR WATER LEAKS IS VOID IF THE AMBIENT ROOM TEMPERATURE EXCEEDS 75°F AND 55% RELATIVE HUMIDITY, AND THE APPLIANCE DRAIN IS NOT CONNECTED DIRECTLY TO A FLOOR DRAIN.***

# ***General Information***

---

**Omcman Manufacturing and Distributing Company Inc., Food Machinery of America, Inc. dba Omcman and Omcman Inc. are not responsible for any harm or injury caused due to any person's improper or negligent use of this equipment. The product shall only be operated by someone over the age of 18, of sound mind, and not under the influence of any drugs or alcohol, who has been trained in the correct operation of this machine, and is wearing authorized, proper safety clothing. Any modification to the machine voids any warranty, and may cause harm to individuals using the machine or in the vicinity of the machine while in operation.**

## **CHECK PACKAGE UPON ARRIVAL**

Upon receipt of an Omcman shipment please inspect for external damage. If no damage is evident on the external packaging, open carton to ensure all ordered items are within the box, and there is no concealed damage to the machine. If the package has suffered rough handling, bumps or damage (visible or concealed), please note it on the bill of lading before accepting the delivery and contact Omcman within 24 hours, so we may initiate a claim with the carrier. A detailed report on the extent of the damage caused to the machine must be filled out within three days, from the delivery date shown in the shipping documents. Omcman has no recourse for damaged products that were shipped collect or third party.

**Before operating any equipment, always read and familiarize yourself with all operation and safety instructions.**

**Omcman would like to thank you for purchasing this machine. It's of the utmost importance to save these instructions for future reference. Also save the original box and packaging for shipping the equipment if servicing or returning of the machine is required.**

---

**Omcman Fabrication et distribution Compañie Limité et Food Machinery d'Amerique, dba Omcman et Omcman Inc. ne sont pas responsables de tout dommage ou blessure causé du fait que toute personne ait utilisé cet équipement de façon irrégulière. Le produit ne doit être exploité que par quelqu'un de plus de 18 ans, saine d'esprit, et pas sous l'influence d'une drogue ou d'acohol, qui a été formé pour utiliser cette machine correctement, et est vêtu de vêtements de sécurité approprié. Toute modification de la machine annule toute garantie, et peut causer un préjudice à des personnes utilisant la machine ou des personnes à proximité de la machine pendant son fonctionnement.**

## **VÉRIFIEZ LE COLIS DÈS RÉCEPTION**

Dès réception d'une expédition d'Omcman veuillez inspecter pour dommages externes. Si aucun dommage n'est visible sur l'emballage externe, ouvrez le carton afin de s'assurer que tous les éléments commandés sont dans la boîte, et il n'y a aucun dommage dissimulé à la machine. Si le colis n'a subi aucune mauvaises manipulations, de bosses ou de dommages (visible ou cachée), notez-le sur le bond de livraison avant d'accepter la livraison et contactez Omcman dans les 24 heures qui suivent, pour que nous puissions engager une réclamation auprès du transporteur. Un rapport détaillé sur l'étendue des dommages causés à la machine doit être rempli dans un délai de trois jours, à compter de la date de livraison indiquée dans les documents d'expédition. Omcman n'a aucun droit de recours pour les produits endommagés qui ont été expédiées ou cueilli par un tiers transporteur.



# General Information

---

Avant d'utiliser n'importe quel équipement, toujours lire et vous familiariser avec toutes les opérations et les consignes de sécurité.

Omcan voudrais vous remercier d'avoir choisi cette machine. Il est primordial de conserver ces instructions pour une référence ultérieure. Également conservez la boîte originale et l'emballage pour l'expédition de l'équipement si l'entretien ou le retour de la machine est nécessaire.

-----  
Omcan Empresa De Fabricacion Y Distribucion Inc. Y Maquinaria De Alimentos De America, Inc. dba Omcan y Omcan Inc. no son responsables de ningun daño o perjuicio causado por cualquier persona inadecuada o el uso descuidado de este equipo. El producto solo podra ser operado por una persona mayor de 18 años, en su sano juicio y no bajo alguna influencia de droga o alcohol, y que este ha sido entrenado en el correcto funcionamiento de esta máquina, y ésta usando ropa apropiada y autorizada. Cualquier modificación a la máquina anula la garantía y puede causar daños a las personas usando la máquina mientras esta en el funcionamiento.

## REVISE EL PAQUETE A SU LLEGADA

Tras la recepcion de un envio Omcan favor inspeccionar daños externos. Si no hay daños evidentes en el empaque exterior, Habra el carton para asegurarse que todos los articulos solicitados estén dentro de la caja y no encuentre daños ocultos en la máquina. Si el paquete ha sufrido un manejo de poco cuidado, golpes o daños (visible o oculto) por favor anote en la factura antes de aceptar la entrega y contacte Omcan dentro de las 24 horas, de modo que podamos iniciar una reclamación con la compañía. Un informe detallado sobre los daños causados a la máquina debe ser llenado en el plazo de tres días, desde la fecha de entrega que se muestra en los documentos de envío. Omcan no tiene ningun recurso por productos dañados que se enviaron a recoger por terceros.

**Antes de utilizar cualquier equipo, siempre leer y familiarizarse con todas las instrucciones de operación y seguridad.**

Omcan quisiera darles las gracias por la compra de esta máquina. Es de la máxima importancia para guardar estas instrucciones para referencias en el futuro. También guarde la caja original y el embalaje para envío del equipo si el mantenimiento o la devolución de la máquina es necesaria.

# Safety and Warranty

---

## 1 YEAR PARTS AND LABOR WARRANTY

Within the warranty period, contact Omcan Inc. at 1-800-465-0234 to schedule an Omcan authorized service technician to repair the equipment locally.

Unauthorized maintenance will void the warranty. Warranty covers electrical and part failures, not improper use.

# Safety and Warranty

Please see <https://omcan.com/disclaimer> for complete info.

## WARNING:

The packaging components are classified as normal solid urban waste and can therefore be disposed of without difficulty.

In any case, for suitable recycling, we suggest disposing of the products separately (differentiated waste) according to the current norms.

**DO NOT DISCARD ANY PACKAGING MATERIALS IN THE ENVIRONMENT!**

# Technical Specifications

Model	RS-CN-0140-D	RS-CN-0190-D	RS-CN-0240-D
Temperature Range	2 - 5°C / 36 - 41°F		
Max Ambient Temp Rating	32°C / 90°F		
Capacity	140 L / 4.94 cu. ft.	190 L / 6.71 cu. ft.	240 L / 7.1 cu. ft.
Power	0.425 kW	0.451 kW	0.461 kW
Current	2.64A	2.8A	2.86A
Refrigerant	R134a		
Number of Shelves	2		
Electrical	110V / 60Hz / 1		
Interior Dimensions	15.8" x 35.5" x 14.5" 400 x 902 x 368mm	15.8" x 47.3" x 14.5" 400 x 1200 x 368mm	15.8" x 59" x 14.5" 400 x 1499 x 368mm
Dimensions	21.3" x 35.5" x 31" 540 x 902 x 787mm	21.3" x 47.3" x 31" 540 x 1200 x 787mm	21.3" x 59" x 31" 540 x 1499 x 787mm
Packaging Dimensions	24" x 38.2" x 37.4" 610 x 970 x 950mm	24" x 50" x 37.4" 610 x 1270 x 950mm	24" x 61.8" x 37.4" 610 x 157 x 950mm
Packaging Weight	247 lbs. / 112 kgs.	295 lbs. / 133.8 kgs.	346 lbs. / 156.9 kgs.
Item Number	44639	44640	46806

# Installation

---

## TRANSPORTATION

1. To prevent the oil contained in the compressor from flowing into the cooling circuit, it is necessary to always carry, store and handle the unit in a vertical position and follow the instructions found on the packaging.
2. If the unit was placed in a non-vertical position during the transportation, keep the unit in a vertical position for approximately 24 hours before using the unit and turning it on, to allow the oil to flow back into the compressor.

## UNPACKING

1. Remove the wooden baseboard and plastic covering.
2. Make sure that the unit has not been damaged.
3. Remove plastic film from all the stainless-steel panels, if applicable.

**IMPORTANT: The packaging should be kept away from children as it is potentially dangerous. Dispose of the packaging according to the regulation from the local authorities.**

## POSITION

1. Never clean the unit with pressurized water jets.
2. Place the unit on a flat and stable surface.
3. Install the unit in a location where it can be overseen by trained personnel.
4. For good ventilation, keep 20 cm (7 inches) between the unit and walls or other objects. Increase the distance if the objects surrounding are heating sources. When the unit is in place, press the brake on the wheels to keep it from moving.
5. Fix the shelves on the unit.

## ELECTRICAL CONNECTION

Before inserting the plug into the electrical socket, carefully read the following precautions:

1. Make sure that the unit is correctly connected to a properly grounded outlet, in compliance with current safety standards.
2. Make sure that the voltage is in accordance with what is indicated on the rating label.
3. The current voltage available should be enough for the maximum energy required by the unit.
4. If necessary, use multiple outlets, which are all properly grounded, in compliance with current safety standards.
5. If in doubt, please consult qualified technicians.

**THE REFRIGERATED SHOWCASE MUST BE CONNECTED TO AN ELECTRICAL SOCKET WITH A GROUND.**

# Operation

---

Before using, the unit should be completely cleaned as it comes into contact with food.

# Operation

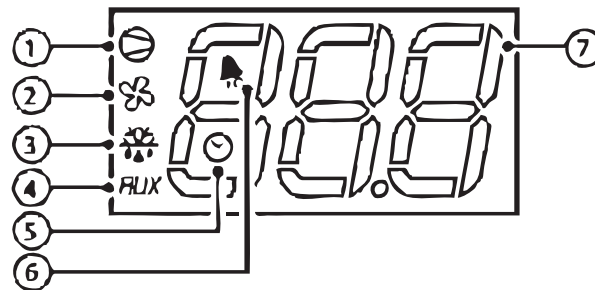
1. Make sure that the main switch is in the (I) position, then plug in the unit.
2. Before starting the unit, ensure the sliding doors are properly closed.
3. Turn the main switch to the (I) position, the condensing unit will automatically start.
4. For lighting, press the lighting button. The lighting button is located on the thermostat.
5. If there is some condensation in front of the curved glass, please turn the switch to (I) position for defogging.
6. Allow the unit to reach proper temperature before loading with product.

## WORKING TEMPERATURE ADJUSTMENT

To reset the temperature inside the showcase, please follow as below:

**CAUTION: You are suggested not to reset the temperature controller frequently.**

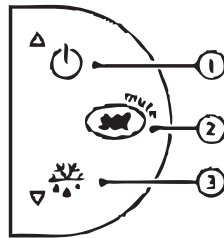
### TEMPERATURE CONTROLLER OPERATION



Number	Function	Normal Operation			Start Up
		ON	OFF	Flash	
1	Compressor	On.	Off.	Call.	On.
2	Fan	On.	Off.	Call.	On.
3	Defrost	On.	Off.	Call.	On.
4	Auxiliary Outbut (AUX)	Output active.	Output not active.	-	On.
5	Clock (RTC)	RTC available, enabled (tEN=1) and at least one time band has been set.	RTC not available or not enabled (tEN=0) or no time band set.	-	On (if the clock is fitted).
6	Alarm	Alarm in progress.	No alarm in progress.	-	On.
7	Digits	Three digits with decimal point and range -199 to 999. See parameters 4, 5, 6 for the type of probe displayed, values in C/F and decimal point.			



## KEYPAD



Number	Normal Operation		Start Up	
	Pressing the Button Alone	Pressing with Other Buttons		
1	More than 3 seconds: switch ON/OFF.	Pressed together with 3 activates/deactivates the continuous cycle.	-	
2	1 second: displays/sets the set point.	-	For 1 second: RESET current EZY set.	Pressed together (2 and 3) activate parameter reset procedure.
	More than 3 seconds: accesses the parameter setting menu (password 22).			
	Mutes the audible alarm (buzzer).			
3	More than 3 seconds: activates/deactivates the defrost.	Pressed together with 1 activates/deactivates the continuous cycle.	For 1 second: displays firmware version.	

# Operation

**TABLE OF CONTROLLER PARAMETERS**

Par.	Description	Type	Min	Max	UOM.	Def.	Parameter visible in models
PS	Password.	F	0	200	-	22	M/S (with 1 & 2 probes), X, Y, C
/2	Probe measurement stability.	C	1	15	-	4	M/S (with 1 & 2 probes), X, Y, C
/4	Select probe displayed.	F	1	3	-	1	M/S (with 2 probes), X, Y, C
/5	Select °C/°F.	C	0 (°C)	1 (°F)	-	0	M/S (with 1 & 2 probes), X, Y, C
/6	Disable decimal point.	C	0	1	-	0	M/S (with 1 & 2 probes), X, Y, C
/7	Enable probe 2 alarm (model M only).	C	0	1	-	0	M
/C1	Probe 1 offset.	F	-50.0	50.0	°C/°F	0	M/S (with 1 & 2 probes), X, Y, C
/C2	Probe 2 offset.	F	-50.0	50.0	°C/°F	0	M/S (with 2 probes), X, Y, C
/C3	Probe 3 offset.	F	-50.0	50.0	°C/°F	0	M/S (with 2 probes), X, Y, C
St	Set point.	S	r1	r2	°C/°F	4	M/S (with 1 & 2 probes), X, Y, C
rd	Control differential.	F	0	19.0	°C/°F	2	S (with 1 & 2 probes), X, Y, C
r1	Minimum set point value.	C	-50	r2	°C/°F	-50	M/S (with 1 & 2 probes), X, Y, C
r2	Maximum set point value.	C	r1	200	°C/°F	90	S (with 1 & 2 probes), X, Y, C
r3	Select direct/reverse operation.	C	0	2	-	0	M/S (with 2 probes), X, Y, C
r4	Night-time set point delta.	C	-50	50	°C/°F	3	S (with 1 & 2 probes), X, Y, C
c0	Compressor and fan start delay on power up.	C	0	100	min	0	S (with 1 & 2 probes), X, Y, C
c1	Minimum time between consecutive compressor starts.	C	0	100	min	0	S (with 1 & 2 probes), X, Y, C
c2	Minimum compressor off time.	C	0	100	min	0	S (with 1 & 2 probes), X, Y, C
c3	Minimum compressor on time.	C	0	100	min	0	S (with 1 & 2 probes), X, Y, C
c4	Compressor on time with duty setting.	C	0	100	min	0	S (with 1 & 2 probes), X, Y, C
cc	Continuous cycle duration.	C	0	15	h	4	S (with 1 & 2 probes), X, Y, C
c6	Temperature alarm bypass after continuous cycle.	C	0	15	h	2	S (with 1 & 2 probes), X, Y, C
d0	Type of defrost.	C	0	4	-	0	S (with 1 & 2 probes), X, Y, C
dl	Interval between defrosts.	F	0	199	h/min (see dC)	8	S (with 1 & 2 probes), X, Y, C
dt	End defrost temperature set point/defrost temperature threshold with temp. control.	F	-50	130	°C/°F	4	S (with 2 probes), X, Y, C
dP	Maximum defrost duration.	F	1	199	min/s (see dC)	30	S (with 1 & 2 probes), X, Y, C
d4	Defrost when switching the instrument on.	C	0	1	-	0	S (with 1 & 2 probes), X, Y, C
d5	Defrost delay on power-up or when enabled by digital input.	C	0	199	min	0	S (with 1 & 2 probes), X, Y, C
d6	Freeze control temperature display during defrost.	C	0	1	-	1	S (with 1 & 2 probes), X, Y, C

## ALARM SIGNALS

When an alarm is activated, the display shows the corresponding message that flashes alternating with the temperature.

- If fitted and enabled, the buzzer and the alarm relay are also activated. All the alarms have automatic reset (that is, they stop when the causes are no longer present), except for alarm 'CHt' which has manual reset (instrument on/off using the UP button or by disconnecting the power supply).
- Pressing the SET button mutes the buzzer, while the code displayed, and the alarm relay only go off when

the causes of the alarm have been resolved. The alarm codes are shown in the table below:

Alarm Code	Buzzer and Alarm Relay	LED	Alarm Description	Reset	Enable Alarm Parameters involved	Easy	Easy Compact	Easy Split
E0	Active	ON	Probe 1 error=control.	Automatic	-	✓	✓	✓
E1	Not Active	ON	Probe 2 error=defrost.	Automatic	d0= 0 / 1 / 4, F0=1	✓	✓	✓
E2	Not Active	ON	Probe 3 error=condenser/ product.	Automatic	Easy, Easy Compact [A4=10/11] Easy Split [A4=13/14]	✓	-	✓
IA	Active	ON	External alarm.	Automatic	[A4=1] [+A7]	✓	-	✓
dOr	Active	ON	Open door alarm.	Automatic	Easy, Easy Compact [A4=7/8] [+A7] Easy Split [A4=7/8/10/11] [+A7]	✓	-	✓
LO	Active	ON	Low temperature alarm.	Automatic	[AL] [Ad]	✓	✓	✓
HI	Active	ON	High temperture alarm.	Automatic	[AH] [Ad]	✓	✓	✓
EE	Not Active	ON	Unit parameter error.	Not Possible	-	✓	✓	✓
EF	Not Active	ON	Operating parameter error.	Manual	-	✓	✓	✓
Ed	Not Active	ON	Defrost ended by timeout.	On first defrost ended correctly	[dP] [dt] [d4] [A8]	✓	✓	✓
dF	Not Active	OFF	Defrost running.	Automatic	[d6=0]	✓	✓	✓
cht	Not Active	ON	Dirty condenser pre-alarm.	Automatic	Easy, Easy Compact [A4=10] Easy Split [A4=13]	✓	-	✓
CHt	Active	ON	Dirty condenser alarm.	Manual	Easy, Easy Compact [A4=10] Easy Split [A4=13]	✓	-	✓
EtC	Not Active	ON	Clock alarm.	By setting the time	If bands are active	✓	-	✓
SrC (Easy Split only)	Not Active	ON	Maintenance request signal.	Manual set HMr=1	[HMP] [HMD] [HMr]	-	-	✓

## Maintenance

### CLEANING

For health standards and good quality of beverages or foods, clean interiors of the unit as often as possible.

**CAUTION: Do not clean the unit by means of a water jet or pressurized washer.**

1. Before carrying out cleaning, turn the unit off and remove the power plug.
2. Do not use abrasive powders that might damage the interior parts of the showcase.
3. Use neutral soap and warm water to wash the interiors. Rinse carefully with water to remove any soap residues.
4. To maintain a high standard of working performance, leave the unit turned on during the night and day to avoid deposits.

**CAUTION: Do not use any damaging solvents (petrol, alcohol, etc.) for cleaning the unit. The unit may get damaged. Do not use and sharp objects for cleaning. The unit may be cleaned with a damp towel**

# Maintenance

---

but should never directly come in contact with water. After cleaning the unit, make sure all parts are dried completely.

## INSTRUCTIONS FOR DISPOSAL

When replacing your old unit with a new one, comply with the following information:

- Old units are not to be disposed of as regular waste. Valuable raw materials can be obtained by recycling old units.

Render your old unit unusable:

- Cut off and remove the main power plug from the unit, then discard separately.

**CAUTION: Substances and gases in the thermal insulation must be disposed of professionally. Ensure that refrigeration tubing is not damaged prior to disposal. Please discard the unit according to the regulations of local law.**

# Troubleshooting

---

Problems	Possible Reasons	Solutions	Remarks
No power input / power direction, lamp does not light.	Broken fuse.	Replace.	As for authorized service department to check and repair.
	Poor connection of plug and socket.	Repair or replace the socket.	
	Failure in input control circuit.	Repair or replace the socket.	
Compressor does not work.	Thermostat does not work.	Replace.	
	Thermostat is not on the working position.	Turning to the working position.	
	Poor contact of thermostat.	Insert the plug tightly.	
	Loose plug pins in the starter.	Insert the plug tightly.	
	Broken compressor.	Replace.	
	Broken starter or capacitor.	Repair or replace.	

# Troubleshooting

Compressor runs, but the temperature in the showcase is high.	Circulating temperature is too high.	Adjust the thermostat properly.	Ask for authorized service department to check and too much dust and dirt on repair it.
	Too much dust and dirt on the condenser.	Clean it on time.	
	Frost on the evaporator is too thick.	Stop the machine to defrost. Set the temperature higher.	
	Thermostat is out of work.	Replace.	
Condenser fan does not run.	The capacitor of the fan is out of work.	Replace.	
	The ball-bearing of the fan motor lacks oil.	Fill oil.	
	The winding of the fan motor is damaged.	Replace.	
Compressor starts / stops frequently.	The winding of the compressor is short circuit.	Check with a multi meter, replace the compressor.	
	Poor contact of the socket.	Repair or replace.	
The fan of the evaporator does not work.	The fan motor is damaged.	Replace.	

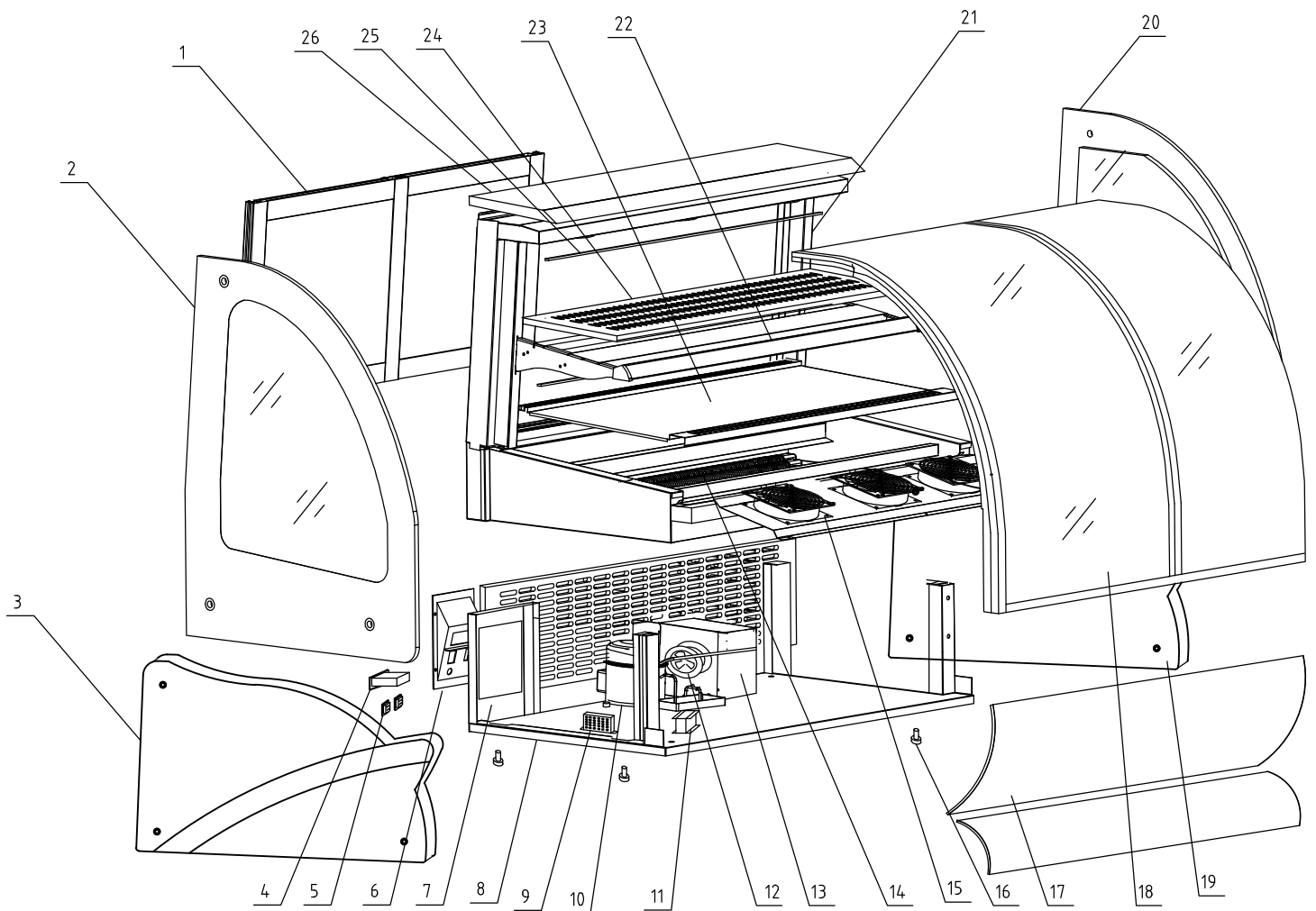
WARNING: If the machine has any problems or has been damaged, do not try to repair or replace it by yourself. Please contact OMCAN technical service at 1-888-465-0234.

# Parts Breakdown

**Model RS-CN-0140-D** 44639

**Model RS-CN-0190-D** 44640

**Model RS-CN-0240-D** 46806



# Parts Breakdown

## Model RS-CN-0140-D 44639

Item No.	Description	Position	Item No.	Description	Position	Item No.	Description	Position
AA000	Back Sliding Door for 44639	1	66973	Compressor for 44639	10	AA015	Right Panel for 44639	19
AA001	Left Glass for 44639	2	AA007	Transformer for Glass for 44639	11	AA016	Right Glass for 44639	20
AA002	Left Panel for 44639	3	AA008	Condenser Fan for 44639	12	AA017	Body for 44639	21
66967	Thermostat for Temperature for 44639	4	AA009	Condenser for 44639	13	AA018	Shelf for 44639	22
66968	Switch for 44639	5	AA010	Evaporator for 44639	14	AA019	Metal Shelf 1 for 44639	23
AA003	Control Panel for 44639	6	AA011	Evaporator Fan for 44639	15	AA020	Metal Shelf 2 for 44639	24
AA004	Panel Fixing Board for 44639	7	AA012	Adjustable Foot for 44639	16	AA021	Lamp for 44639	25
AA005	Under Frame for 44639	8	AA013	Front Panel for 44639	17	AA022	Top Panel for 44639	26
AA006	Transformer for 44639	9	AA014	Front Sliding Glass for 44639	18			

## Model RS-CN-0190-D 44640

Item No.	Description	Position	Item No.	Description	Position	Item No.	Description	Position
AA023	Back Sliding Door for 44640	1	66973	Compressor for 44640	10	AA015	Right Panel for 44640	19
AA001	Left Glass for 44640	2	AA007	Transformer for Glass for 44640	11	AA016	Right Glass for 44640	20
AA002	Left Panel for 44640	3	AA008	Condenser Fan for 44640	12	AA028	Body for 44640	21
66967	Thermostat for Temperature for 44640	4	AA009	Condenser for 44640	13	AA029	Shelf for 44640	22
66968	Switch for 44640	5	AA025	Evaporator for 44640	14	AA030	Metal Shelf 1 for 44640	23
AA003	Control Panel for 44640	6	AA011	Evaporator Fan for 44640	15	AA031	Metal Shelf 2 for 44640	24
AA004	Panel Fixing Board for 44640	7	AA012	Adjustable Foot for 44640	16	AA032	Lamp for 44640	25
AA024	Under Frame for 44640	8	AA026	Front Panel for 44640	17	AA033	Top Panel for 44640	26
AA006	Transformer for LED for 44640	9	AA027	Front Sliding Glass for 44640	18			

## Model RS-CN-0240-D 46806

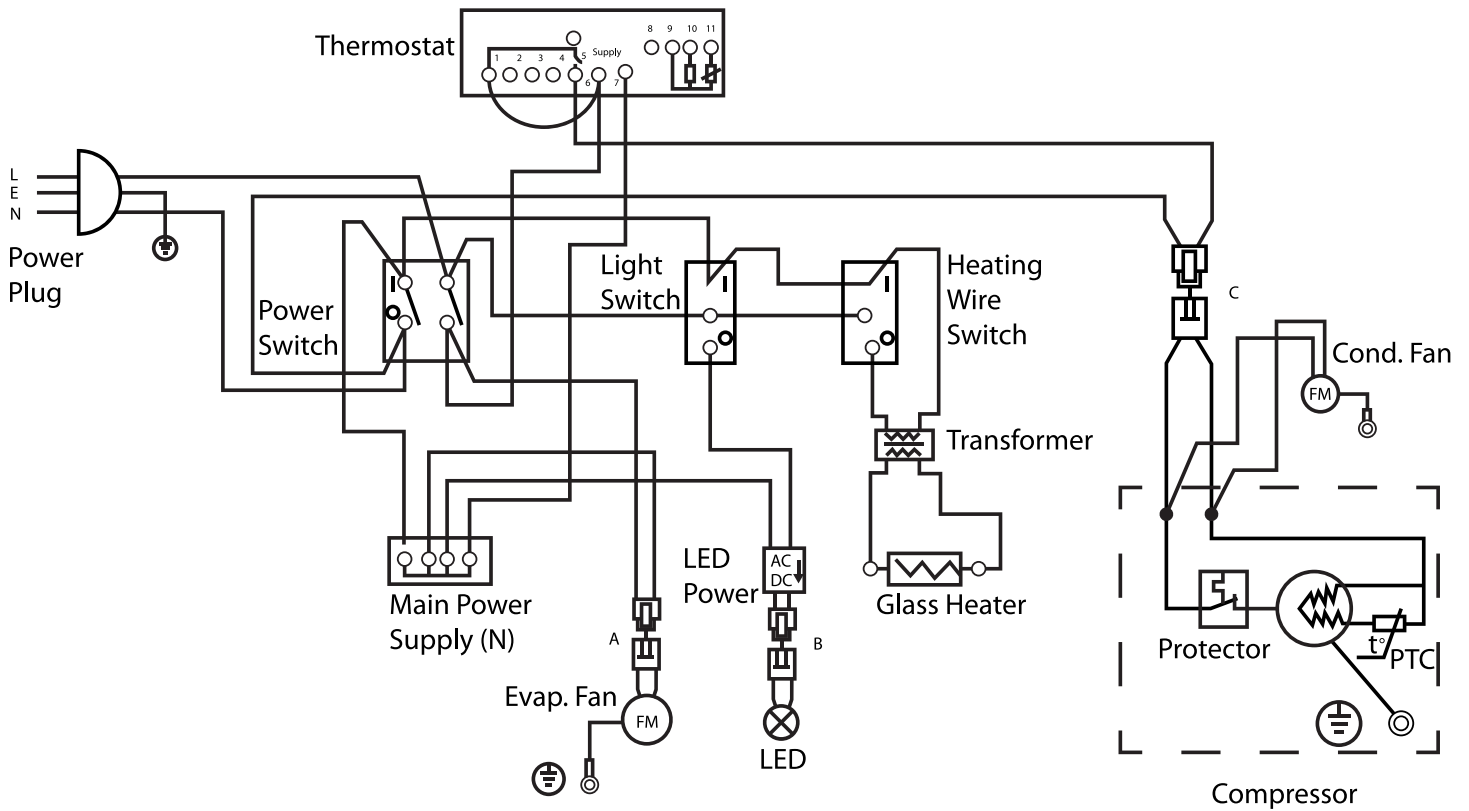
Item No.	Description	Position	Item No.	Description	Position	Item No.	Description	Position
AA034	Back Sliding Door for 46806	1	66973	Compressor for 46806	10	AA015	Right Panel for 46806	19
AA001	Left Glass for 46806	2	AA007	Transformer for Glass for 46806	11	AA016	Right Glass for 46806	20
AA002	Left Panel for 46806	3	AA008	Condenser Fan for 46806	12	AA039	Body for 46806	21
66967	Thermostat for Temperature for 46806	4	AA009	Condenser for 46806	13	AA040	Shelf for 46806	22
66968	Switch for 46806	5	AA036	Evaporator for 46806	14	AA041	Metal Shelf 1 for 46806	23
AA003	Control Panel for 46806	6	AA011	Evaporator Fan for 46806	15	AA042	Metal Shelf 2 for 46806	24
AA004	Panel Fixing Board for 46806	7	AA012	Adjustable Foot for 46806	16	AA043	Lamp for 46806	25
AA035	Under Frame for 46806	8	AA037	Front Panel for 46806	17	AA044	Top Panel for 46806	26
AA006	Transformer for LED for 46806	9	AA038	Front Sliding Glass for 46806	18			

# Electrical Schematics

**Model RS-CN-0140-D** 44639

**Model RS-CN-0190-D** 44640

**Model RS-CN-0240-D** 46806











# Warranty Registration

Thank you for purchasing an Omcan product. To register your warranty for this product, complete the information below, tear off the card at the perforation and then send to the address specified below. You can also register online by visiting:

Merci d'avoir acheté un produit Omcan. Pour enregistrer votre garantie pour ce produit, complétez les informations ci-dessous, détachez la carte au niveau de la perforation, puis l'envoyer à l'adresse spécifiée ci-dessous. Vous pouvez également vous inscrire en ligne en visitant:

Gracias por comprar un producto Omcan usted. Para registrar su garantía para este producto, complete la información a continuación, cortar la tarjeta en la perforación y luego enviarlo a la dirección indicada a continuación. También puede registrarse en línea en:

<https://omcan.com/warranty-registration/>

For mailing in Canada

Pour postale au Canada

Por correo en Canadá

**OMCAN**

PRODUCT WARRANTY REGISTRATION

3115 Pepper Mill Court,

Mississauga, Ontario

Canada, L5L 4X5

For mailing in the US

Pour diffusion aux États-Unis

Por correo en los EE.UU.

**OMCAN**

PRODUCT WARRANTY REGISTRATION

4450 Witmer Industrial Estates, Unit 4,

Niagara Falls, New York

USA, 14305

*or email to: [service@omcan.com](mailto:service@omcan.com)*



Purchaser's Information

Name: \_\_\_\_\_

Address: \_\_\_\_\_

City: \_\_\_\_\_ Province or State: \_\_\_\_\_ Postal or Zip: \_\_\_\_\_

Country: \_\_\_\_\_

Dealer from which Purchased: \_\_\_\_\_

Dealer City: \_\_\_\_\_ Dealer Province or State: \_\_\_\_\_

Invoice: \_\_\_\_\_

Model Name: \_\_\_\_\_ Model Number: \_\_\_\_\_

Machine Description: \_\_\_\_\_

Date of Purchase (MM/DD/YYYY): \_\_\_\_\_

Would you like to extend the warranty?  Yes  No

Company Name: \_\_\_\_\_

Telephone: \_\_\_\_\_

Email Address: \_\_\_\_\_

Type of Company:

Restaurant  Bakery  Deli

Butcher  Supermarket  Caterer

Institution (specify): \_\_\_\_\_

Other (specify): \_\_\_\_\_

Serial Number: \_\_\_\_\_

Date of Installation (MM/DD/YYYY): \_\_\_\_\_

**Thank you for choosing Omcan | Merci d'avoir choisi Omcan | Gracias por elegir Omcan**



Since 1951 Omcan has grown to become a leading distributor of equipment and supplies to the North American food service industry. Our success over these many years can be attributed to our commitment to strengthen and develop new and existing relationships with our valued customers and manufacturers. Today with partners in North America, Europe, Asia and South America, we continually work to improve and grow the company. We strive to offer customers exceptional value through our qualified local sales and service representatives who provide convenient access to over 5,000 globally sourced products.

---

Depuis 1951 Omcan a grandi pour devenir un des “leaders” de la distribution des équipements et matériel pour l’industrie des services alimentaires en Amérique du Nord. Notre succès au cours de ces nombreuses années peut être attribué à notre engagement à renforcer et à développer de nouvelles et existantes relations avec nos clients et les fabricants de valeur. Aujourd’hui avec des partenaires en Amérique du Nord, Europe, Asie et Amérique du Sud, nous travaillons continuellement à améliorer et développer l’entreprise. Nous nous efforçons d’offrir à nos clients une valeur exceptionnelle grâce à nos ventes locales qualifiées et des représentants de service qui offrent un accès facile à plus de 5000 produits provenant du monde entier.

---

Desde 1951 Omcan ha crecido hasta convertirse en un líder en la distribución de equipos y suministros de alimentos en América del Norte industria de servicios. Nuestro éxito en estos años se puede atribuir a nuestro compromiso de fortalecer y desarrollar nuevas relaciones existentes con nuestros valiosos clientes y fabricantes. Hoy con socios de América del Norte, Europa, Asia y América del Sur, que trabajan continuamente para mejorar y crecer la empresa. Nos esforzamos por ofrecer a nuestros clientes valor excepcional a través de nuestro local de ventas y representantes de los servicios que proporcionan un fácil acceso a más de 5,000 productos con origen a nivel mundial.

